

Us

Polycarbonate baseplate

Highly durable, resilient to wear. Protects the PED against accidental knocks and damage. Reduces likely hood of tamper alarm trigger events.

Discrete design, colour matched to base of PED.

Designed to still give visibility of the asset details of the PED without removing baseplate.

Powder coated mild steel cover plate

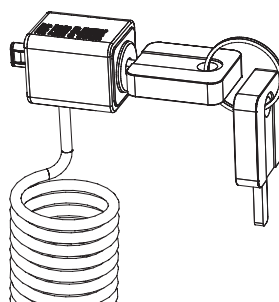
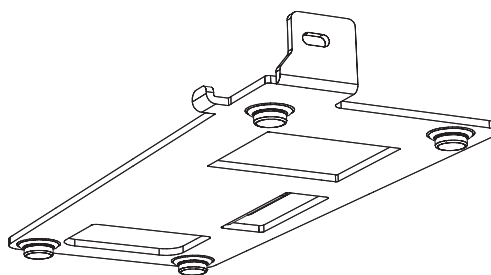
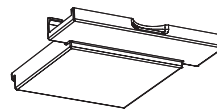
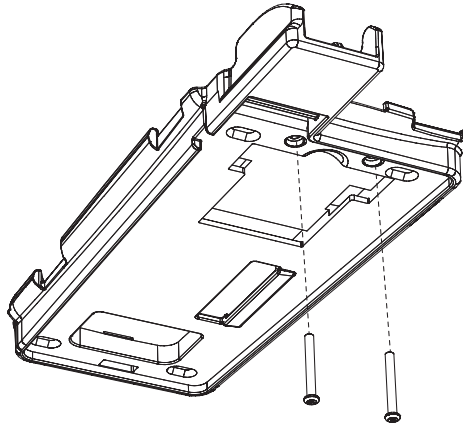
Prevents unauthorised access to the underside of the PED, whilst still giving visibility of the asset details of the PED.

Rubber feet

Prevents slipping on surfaces and also a softer feel when replaced in pole cradle or directly on desktop, preventing damage.

Lock security slot

With our high security lock in place, the baseplate and steel cover plate cannot be separated, therefore protecting the PED from tampering.



High security, anti-pick, anti-drill keyed lock

Various key options to fit your key strategy, including keyways to differ, keyed alike and master keyed.

High security lock to prevent removal of PED harness; removal of PED from the store; or tampering of PED in or out of store.

When connected to an anchor point, this protects the PED from unauthorised removal from store, or unauthorised relocation within store.

High tensile twisted steel PVC coated tether

When connected to an anchor point, this protects the PED from unauthorised removal from store, or unauthorised relocation within store.

PVC coated provides smooth cover to improve aesthetics and looks.

Available with either a coiled or straight high tensile steel tether, giving flexibility in positioning the PED in store.